

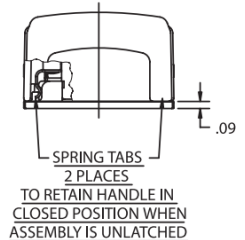
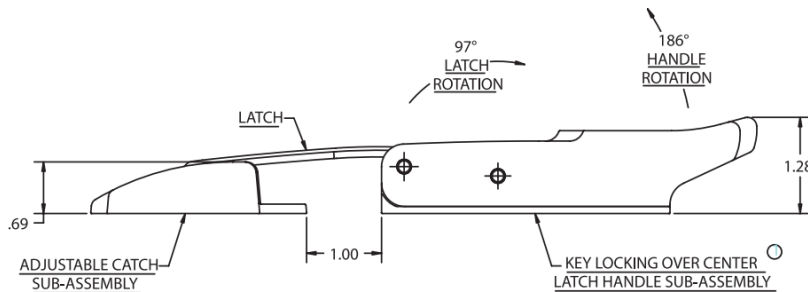
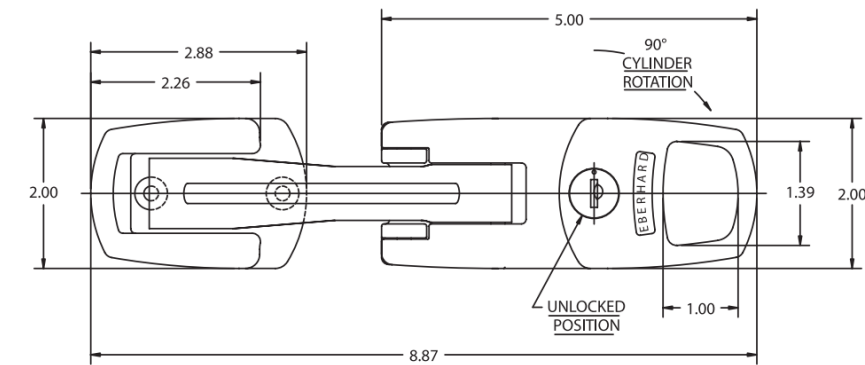
8850 / 8851 Die Cast Draw Latch

Features

- Die cast draw latch with an adjustable catch offered in a key-locking and non-key-locking version
- Available with a stainless strap for additional security or a rubber strap where more flexibility is required
- The design also provides security of unauthorized removal of the mounting fasteners since the mounting locations are not accessible when the latch is clamped down on the key-locking versions
- Key-locking versions are provided with one double-bit key

Material

- Handle sub-assembly: Black powder coated
- Adjustable catch sub-assembly: Black powder coated
- Latch: Stainless steel, electro-polished or rubber
- Latch body: EPDM, black
- Pins & fasteners: Stainless steel, passivated



8851-PK shown

Part No.	Strap	Key
8850-PK	Stainless Steel	Key Locking
8851-PK		Non Locking
1-8850-PK	Rubber	Key Locking
1-8851-PK		Non Locking

Dimensions in inches



We are Eberhard's exclusive distributor